

QUICKCHECK™ QC5 RFID

RFID QuickCheck™ is an intuitive and easy to use patron self-checkout station. The system has a touch screen monitor and offers step-by-step instructions to guide patrons through the checkout process of all library materials including CDs, DVDs, and magnetic media.

The system is compatible with all ISO standard RFID labels and operates seamlessly with the library ILS. This unit programs and re- programs RFID labels and can also perform barcode-to-RFID conversions.

Sidekick™ remote administration software is a unique tool to monitor the performance of single or multiple stations. This remote monitoring, administration, and report generating software is included with every QuickCheck™ system and can be installed in an unlimited number of library staff workstations

FEATURES AND OPTIONS

- Selectable checkout/in and renewals
- Multiple Languages included
- Easy staff access to receipt printer
- Patron selectable e-mail or printout of receipts
- Remote Monitoring and Administration
- Integrated AV Media Unlocker
- Multiple Item Theft Detection
- Web-based QuickHelp customer service
- Custom furniture and finishes



The Sentry RFID QuickCheck™ (Model QC5) provides patron checkout and renewals of materials via RFID labels and barcodes. When the RFID label or barcode is read, an EAS/AFI security function is performed, the items are processed, and a receipt is printed informing the patron when to return materials to the library.

The RFID security feature prevents patrons from checking out more than one book under a single item identifier or substituting items during checkout.

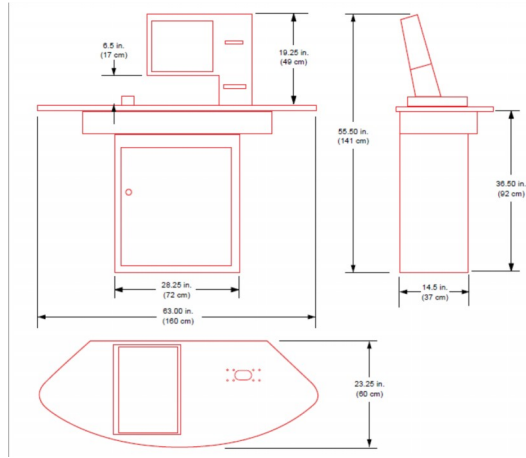
QuickCheck™ stations can also be configured with an integrated Media Unlocking Device to open Video, DVD, and CD security cases. The system controlled unlocker allows patrons to open locked cases after they have been properly checked out.

Once the checkout process is complete, the patron exits the library through the RFID detection system. The entire self-service process is fast, user friendly, and increases productivity by freeing library staff to perform other tasks.

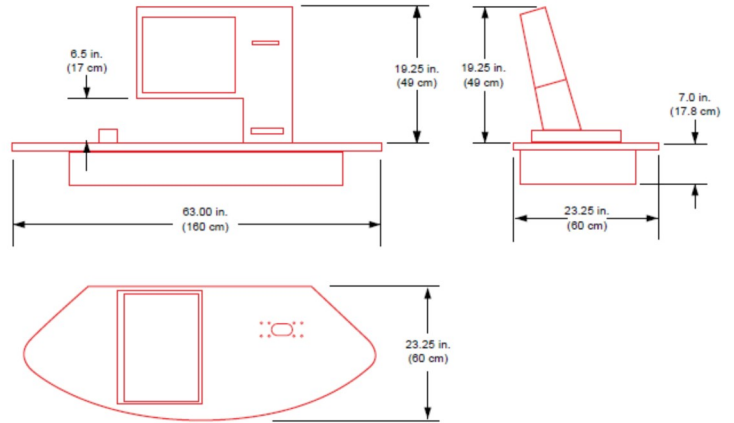
QuickCheck™ is available in Kiosk, Desktop and Built-in configurations.

QUICKCHECK™ CONFIGURATIONS

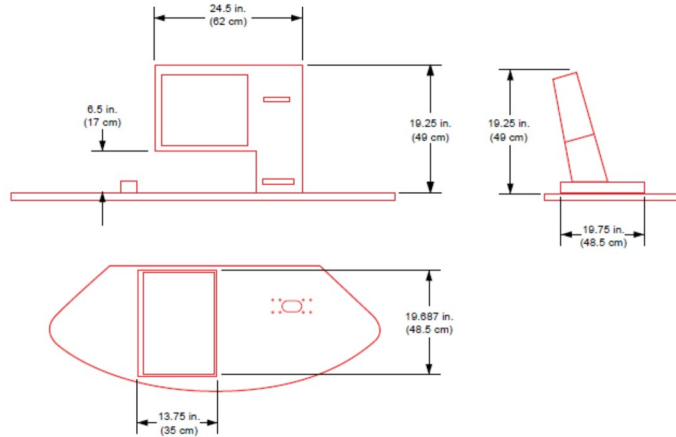
QUICKCHECK™ KIOSK





QUICKCHECK™ DESKTOP



QUICKCHECK™ BUILT-IN



QUICKCHECK™ FEATURES

- ✓ Easy check-outs, renewals, and check-ins
- ✓ Processes every kind of collection item, including CDs and DVDs
- ✓ User interface available in 13 different languages at no additional cost:
 - English, Spanish, French, Portuguese, Russian, Slovakian, German, Italian, Punjabi, Creole, Chinese Traditional, Chinese Simplified, Vietnamese
 - Additional languages can be purchased
 - Language of the user interface can be changed at any point in the check-out process
- ✓ Patrons can select language of “Date Due” and status receipts
- ✓ Patrons can access account information, such as a list of items checked out, due dates, fines and fees owed, books on-hold, books ready for pick-up, etc.
- ✓ Reduces repetitive strain injuries for library staff
- ✓ Frees library staff to concentrate on other tasks at the library, such as reference questions
- ✓ Compatible with every Integrated Library System, including Innovative Millennium, SirsiDynix, ExLibris, Evergreen, etc.
- ✓ All QuickCheck™ systems include Sidekick™, a remote administration and statistical reporting software package, at no additional cost
- ✓ User interface can be completely customized. Library staff can easily alter colors, fonts, text, layout, pictures, and sounds according to your preferences
- ✓ Standard finishes:
 - Countertop 
 - Cabinet 
- For an additional cost, hundreds of custom finishes are available to suit any library’s décor